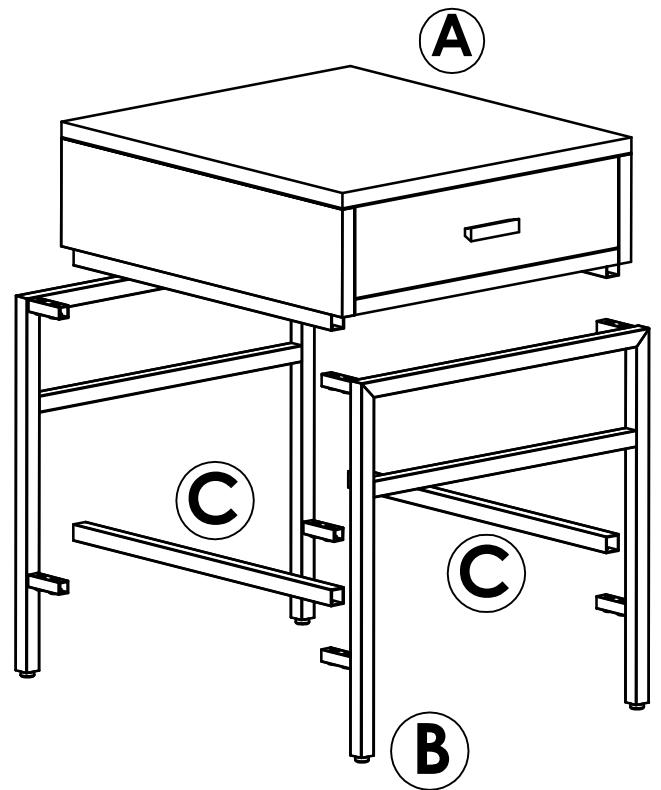
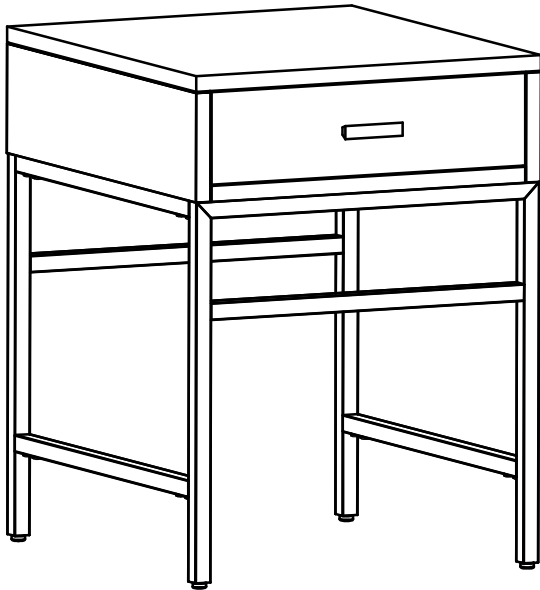


# BUTLER

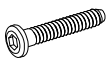
SPECIALTY COMPANY  
8200 SOUTH CHICAGO AVE. CHICAGO, IL 60617

Assembly Instructions  
5550419  
End Table



ITEM	DESCRIPTION	QUANTITY
A	Table Top	1
B	Leg	2
C	Stretcher	2

## hardware



H1 x 16  
bolts m6 x 15 mm



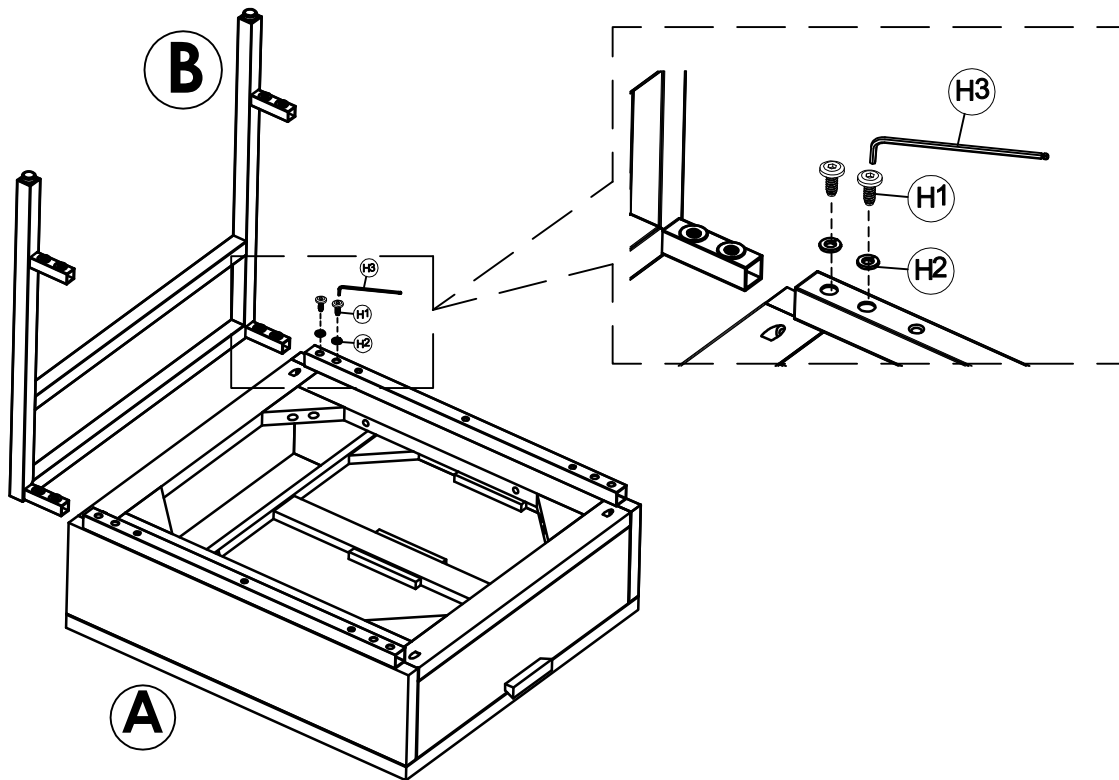
H2 x 16  
spring washers  $\varnothing 13$



H3 x 1  
Allen key #4

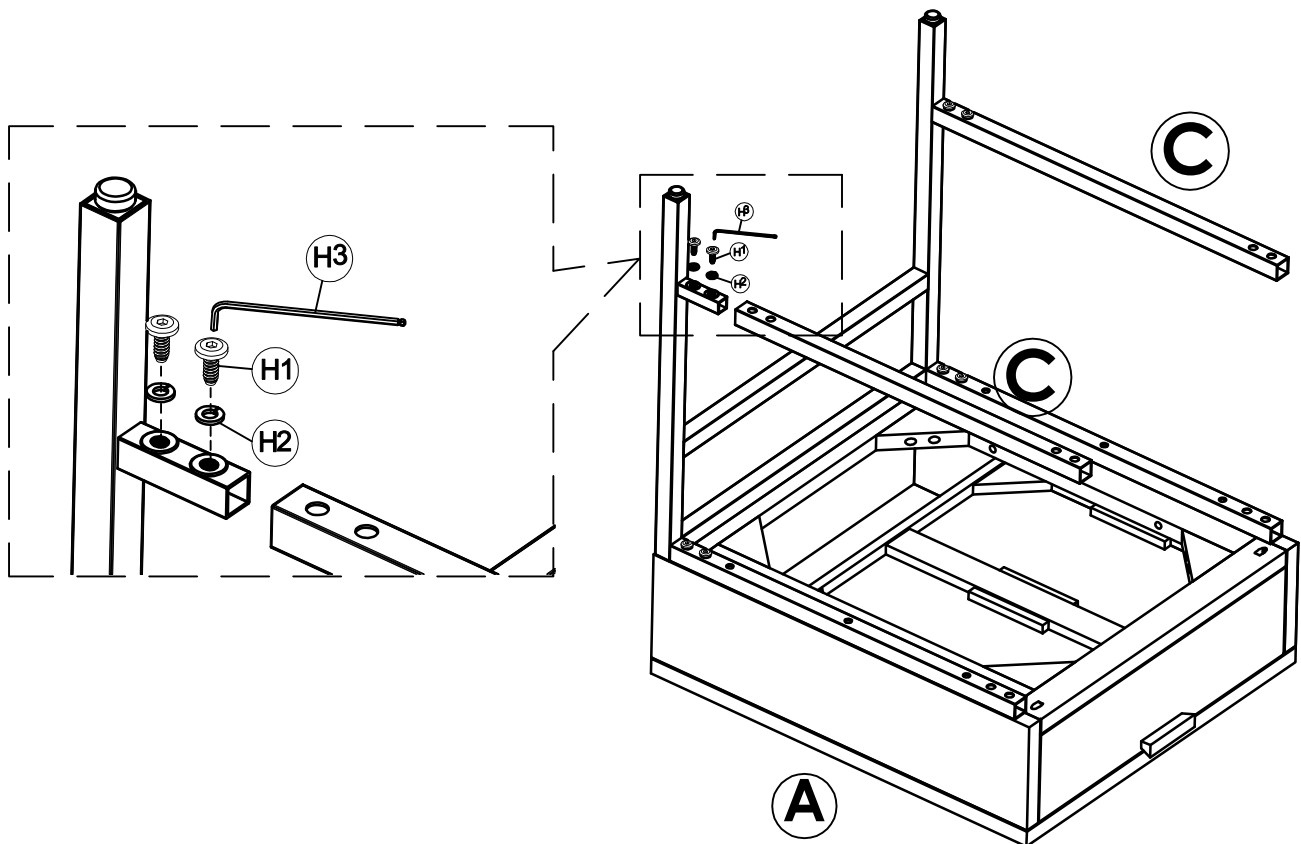
## STEP 1

Lay the Table Top ( A ) up side down . Attach Leg ( B ) to Table Top ( A ) then secure with the bolts ( H1 ) , and Spring Washers ( H2 ) . Tighten the bolts ( H1 ) with provided Allen Key ( H3 )



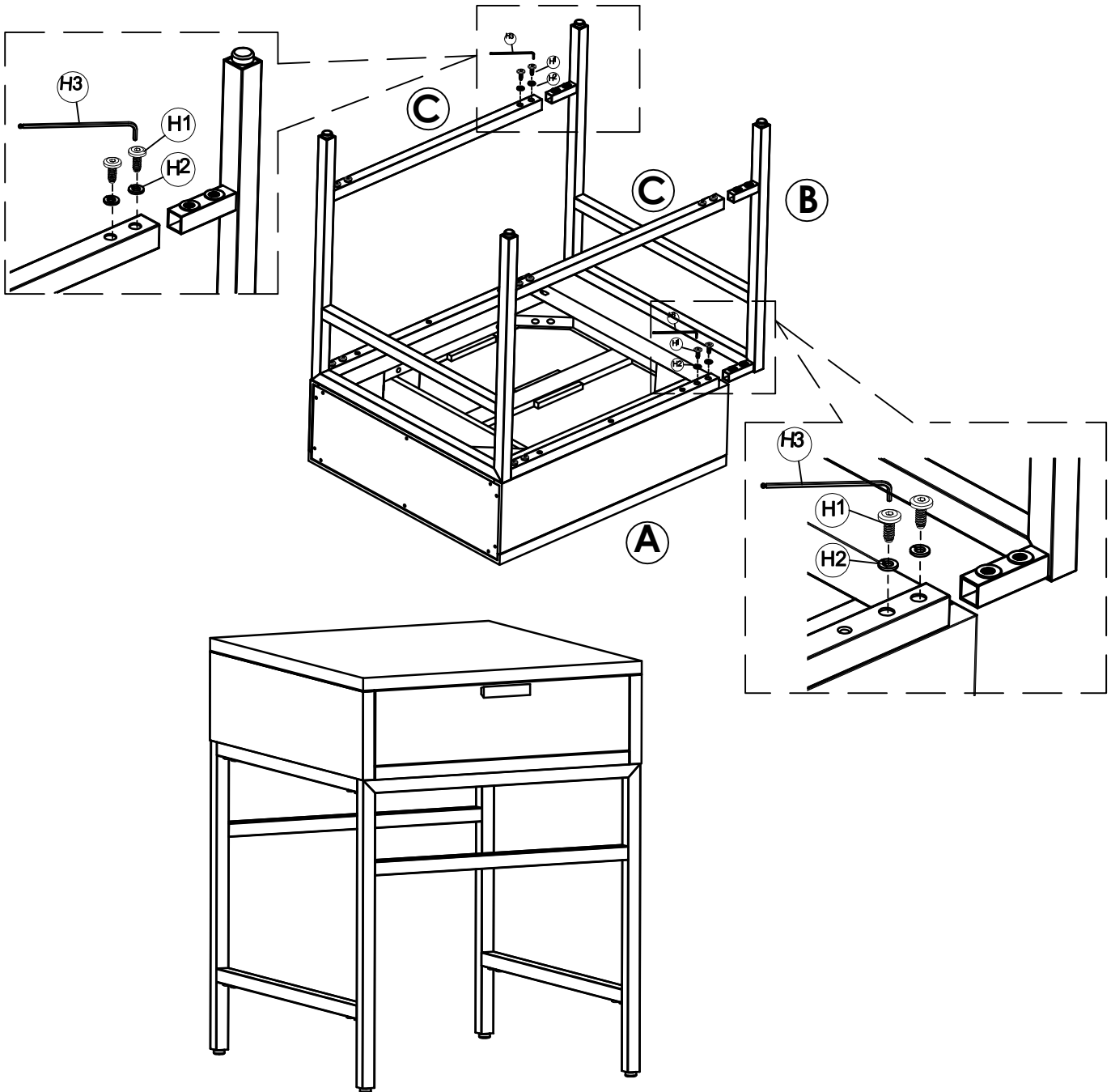
## STEP 2

Attach Stretcher ( C ) to Leg ( B ) then secure with the bolts ( H1 ) , and Spring Washers ( H2 ) . Tighten the bolts ( H1 ) with provided Allen Key ( H3 )



### STEP 3

Attach Leg ( B ) to Table Top ( A ) and Stretcher ( C ) then secure with the bolts ( H1 ), and Spring Washers ( H2 ). Tighten the bolts ( H1 ) with provided Allen Key ( H3 ).



**Congratulations**

**Assembly complete, Your End Table is ready to use**

(\*) Caution : DO NOT OVERTIGHTEN

In any correspondence regarding this product, please include the complete Butler identification number located on the underside of the product.

We hope this product will be a useful and decorative addition to your home for years to come

Copyright© Butler Specialty Company, 12 / 20